

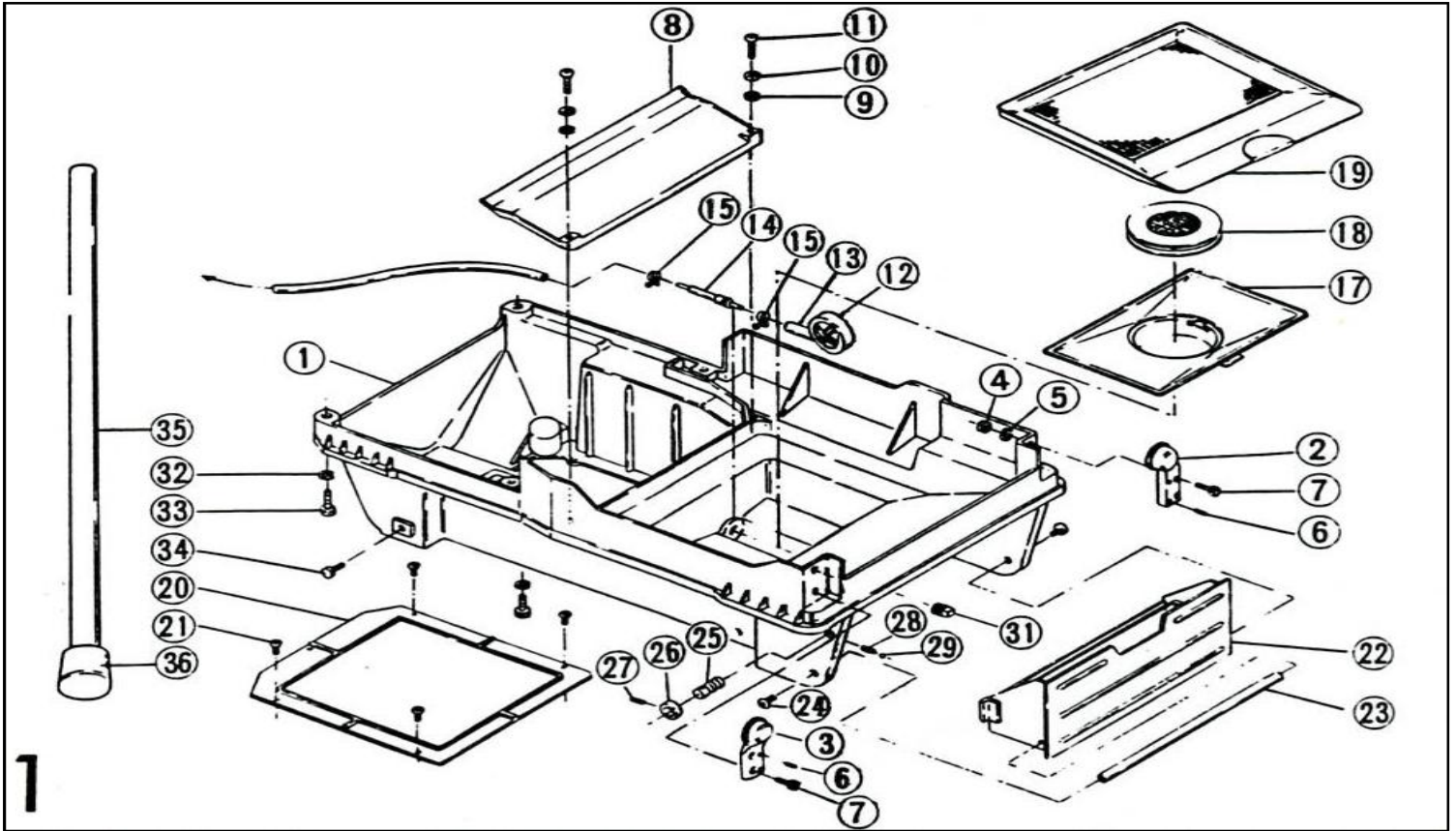
# Wheeler-Rex Model 6794 (N100A) Pipe Threading Machine Parts List



Wheeler Mfg. Div Rex Intl USA Inc.  
3744 Jefferson Road  
Ashtabula, OH 44004  
Tel: 800-321-7950  
Fax: 440-992-2925  
[www.wheelerrex.com](http://www.wheelerrex.com)  
[wheeler@wheelerrex.com](mailto:wheeler@wheelerrex.com)

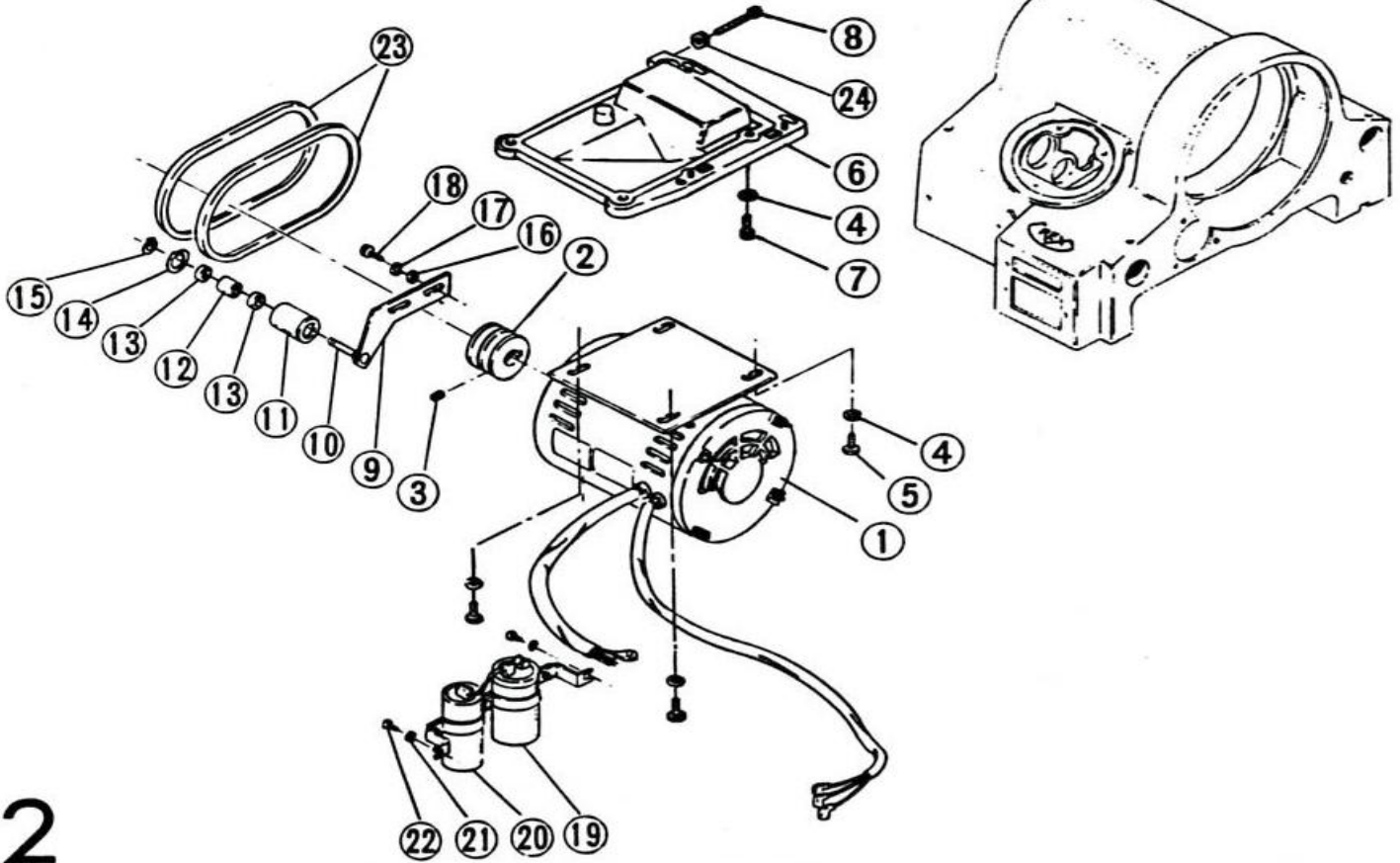
REX Industries Ltd.  
[www.rexind.co.jp](http://www.rexind.co.jp)

# 6794 1. Base



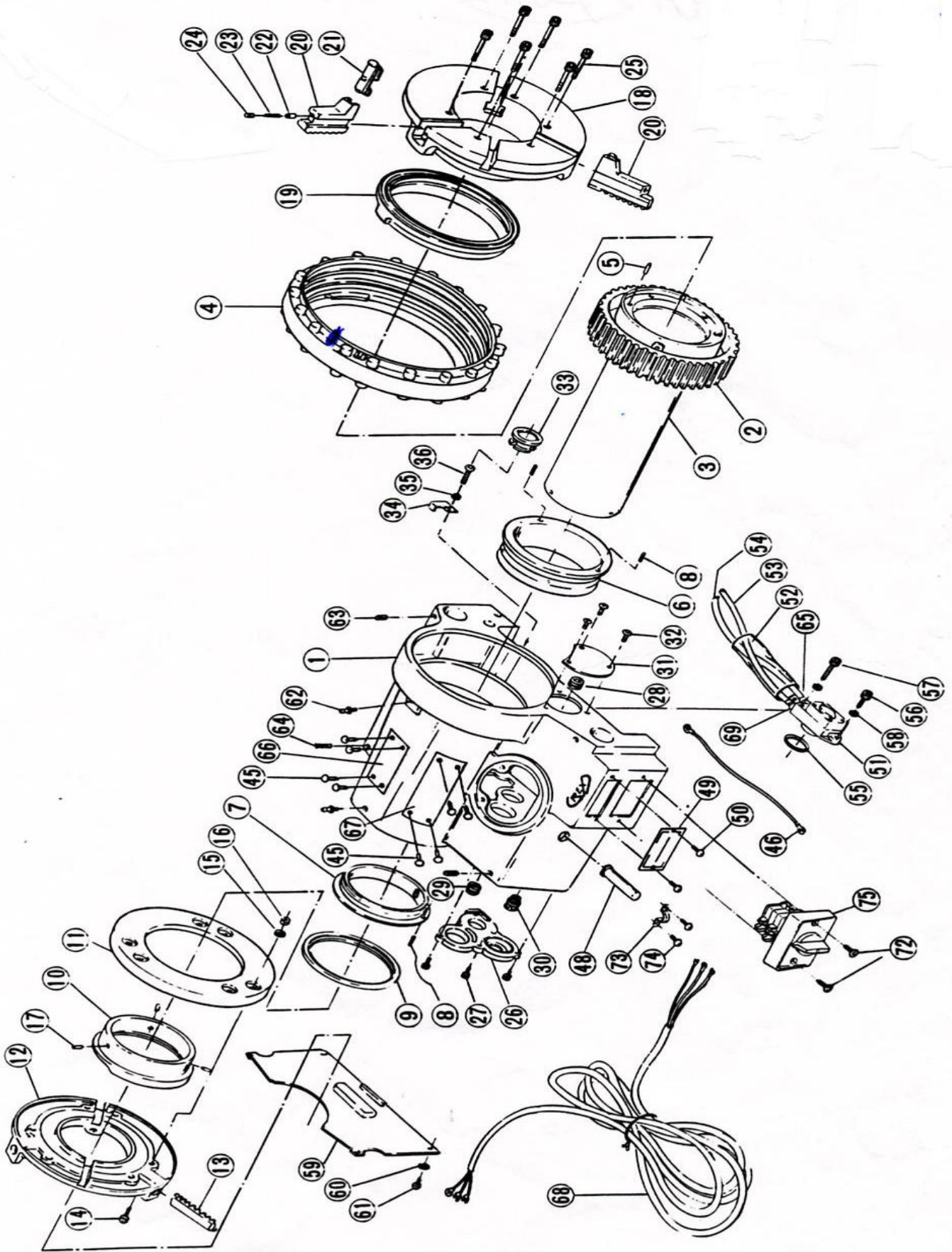
Number	Wheeler P/N	Description	Set	Rex P/N	Notes
1	603500	Base	1	J001	
2	603501	Support, Right	1	J002	
3	603502	Support, Left	1	J003	
4	600328	Nut (M8)	4		
5	600130	Spring Washer (8mm)	4		
6	600344	Roll Pin (M6x30)	4		
7	600129	Socket Hd Cap Screw (M8x25)	4		
8	603504	Base Cover	1	J006	
9	600248	Washer (5mm)	2		
10	600124	Spring Washer (5mm)	2		
11	600649	Rd Hd Machine Screw (M5x25)	2		
12	600731	Strainer	1	N048	Set tapping screw (M5x10) 6090
13	603505	Oil Intake Line Suction Tube A	1		
14	603506	Nipple	1	J015	
15	600213	Pipe Band	2		6090,6190,6390,6490,6590
17	603507	Tank Upper Cover	1	J004	
18	603508	Upper Cover Strainer Cap	1	J005	
19	603509	Scrap Receiver	1	J007	
20	603510	Bottom Cover	1	J008	
21	600329	Rd Hd Machine Screw (M5x8)	4		
22	603511	Built In Tool Box	1	J010	
23	603512	Tool Box Shaft	1	J011	
24	603513	Truss Screw (M8x20)	2		
25	603514	Stopper Pin A	1	J012	
26	603515	Stopper Pin B	1	J013	
27	603516	Roll Pin (M4x20)	1		
28	603517	Spring (M5x12)	1	7752	
29	600346	Steel Ball (5mm)	1		
31	600183	Drain Plug	1		
32	600429	Spring Washer (10mm)	4		
33	600181	Socket Hd Cap Screw (M10x40)	4		
34	600249	Hex Hd Cap Screw (M10x30)	4		
35	603519	Pipe Stand	4	J014	
36	603520	Leg Cap	4	N125	6090

# 6794 2. Motor



Number	Wheeler P/N	Description	Set	Rex P/N	Notes
1	603521	Condenser Motor (KW 120/240V)	1	J030	
2	603522	Motor Pulley	1	T066	
3	600291	Hex Socket Set Screw (M8x8)	1		
4	603523	Spring Washer (10mm)	8		
5	600473	Hex Hd Cap Screw (M10x20)	4		
6	603524	Motor Holder	1	J020	
7	603525	Socket Hd Cap Screw (M10x25)	4		
8	600193	Socket Hd Cap Screw (M8x60)	1		
9		Tension Pulley Adjustment Mounting	1	J023	} 603526 Set (J019)
10		Tension Pulley Adjustment Pin	1	J024	
11	603527	Tension Pulley	1	J025	
12	603528	Tension Pulley Bearing Collar	1	J027	
13	603529	Bearing (6001ZZ)	2	J026	
14	603530	Snap Ring (inside 28mm)	1	J303	
15	603531	Snap Ring (outside 12mm)	1		
16	600245	Washer (8mm)	2		
17	600130	Spring Washer (8mm)	2		
18	603532	Socket Hd Cap Screw (M8x20)	2		
19	60312	Driver Condenser	1	A549	6490
20	60311	Starter Condenser	1	A548	6490
21	600248	Washer (5mm)	2		
22	600329	Rd Hd Machine Screw (M5x8)	2		
23	603533	V-Belt (A24)	2		
24	600328	Nut (M8)	1		

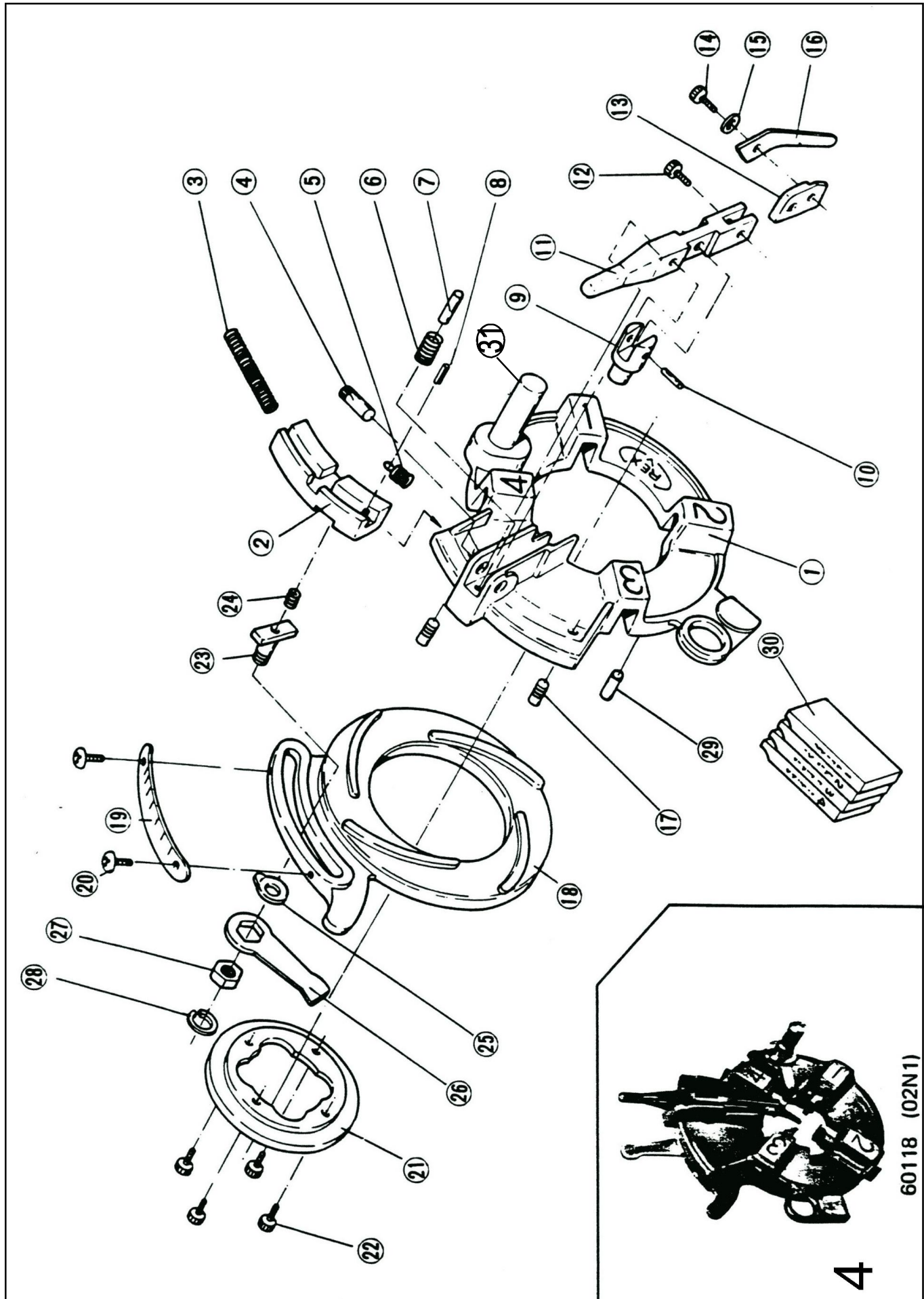
# 6794 3. Main Shaft Stock



# 6794 3. Main Shaft Stock

Number	Wheeler P/N	Description	Set	Rex P/N	Notes	
1	603534	Head Stock	1	J034		
2	603535	Main Shaft Gear	1	J036	} Set 02J 600290	
3	603536	Main Shaft	1	J038		
4	603537	Hand Wheel	1	J037		
5	603538	Straight Pin (M8x18)	1		6490	
6	607005	Front Main Shaft Bearing	1	A005	6490	
7	600867	Rear Main Shaft Bearing	1	J039	6490	
8	600127	Roll Pin (M4x10)	4			
9	607008	Thrust Ring	1	A008	6490	
10	607007	Rear Scroll	1	}		
11	605014	Rear Chuck Cover	1			
12	605012	Rear Chuck Receptacle	1			
13	605013	Rear Chuck Jaw	3			607006 Rear
14	600131	Socket Hd Cap Screw (M6x16)	6			Chuck Complete
15	600132	Spring Washer (6mm)	6			Set (A006) 6490
16	600177	Nut (M6)	6			
17	600149	Roll Pin (M6x14)	3			
18	603539	Chuck Body	1	}		
19	603540	Scroll	1			603542 Chuck
20	603541	Chuck Jaw	3			Complete Set
21		Chuck Jaw Insert Set	3			(RT-RT J051)
22		Spring Retainer	3			6490
23		Spring	3			60307 Chuck
24		Set Screw	6			Jaw Insert Set
25	603543	Socket Hd Cap Screw (M7x57.5)	6			
26	603544	Gear Case Cover	1	J040		
27	603545	Socket Hd Cap Screw (M5x18)	6			
28	600911	Hex Socket Pipe Plug (PT1/8)	1			
29	600623	Hex Socket Pipe Plug (PT3/8)	1			
30	603546	Oil Gauge (N-1)	1	J320		
31	603547	Window Cap	1	J042		
32	600179	Rd Hd Machine Screw (M5x10)	3			
33	604040	Hose Guide	1	4040	6390	
34	604086	Hose Band	1	4086	6390	
35	600132	Spring Washer (6mm)	1		6390	
36	600204	Rd Hd Machine Screw (M6x10)	1		6390	
45	600143	Rivet (#0x5)	8			
46	600942	Ground Wire	1			
48	600943	Cord Bush	1	7021	6090, 6390, 6590, 6890	
49	600944	Name Plate	1	J260		
50	600621	Rivet (#4x5)	2			
51	604025	Gear Pump (Oil Pump)	1	4025		
52	603549	Vinyl Tube (100)	1			
53	603550	Oil Intake Suction Tube B (700)	1			
54	603551	Oil Feed Line tube (530)	1			
55	603552	Gear Pump Gasket	1	J047		
56	600486	Socket Hd Cap Screw (M6x20)	1			
57	600222	Socket Hd Cap Screw (M6x35)	1			
58	600132	Spring Washer (6mm)	2			
59	603553	Rear Cover	1	J041		
60	600248	Washer (5mm)	4			
61	600179	Rd Hd Machine Screw (M5x10)	4			
62	600198	Grease Nipple (M6)	2			
63	603554	Hex Socket Set Screw (Cone M8x25)	3			
64	603555	Hex Socket Set Screw (Half dog M8x25)	1			
65	600213	Pipe Band (10mm)	2			
66	603557	Warning Plate A	1	9102		
67	603558	Warning Plate	1	E045		
68	600945	Power Cord	1	J048		
69	601035	Joint	2	1035		
72	600937	Oval Machine Screw (M4x10)	2			
73	600941	Head Binder C-15	1	7098	6090, 6390, 6590, 6890	
74	600191	Rd Hd Machine Screw (M4x10)			6390	
75	600956	Cam Switch	1		6090, 6390, 6590, 6890	

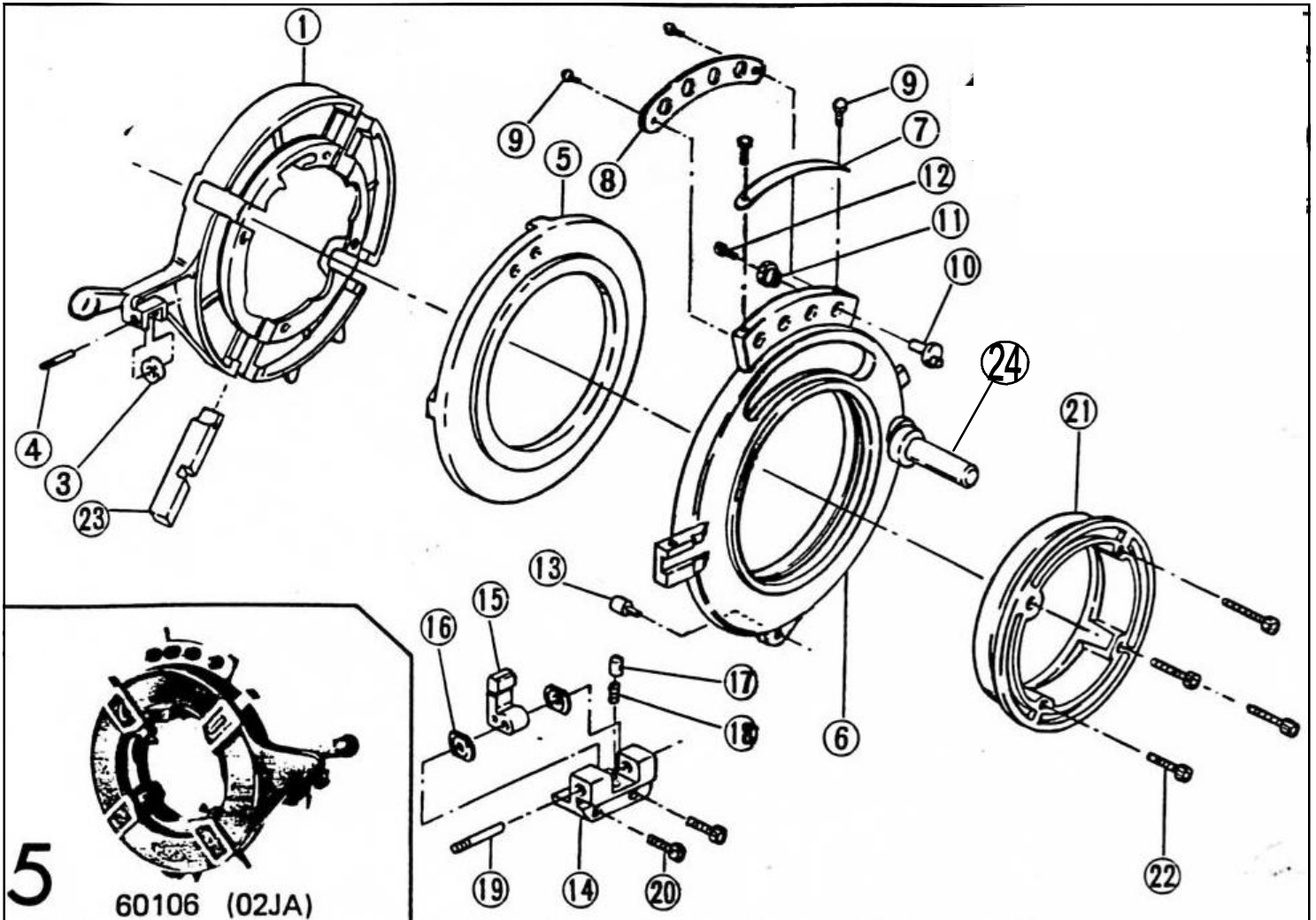
# 6794 4. 1/2" - 2" Die Head



# 6794 4. 1/2" - 2" Die Head

Number	Wheeler P/N	Description	Set	Rex P/N	Notes
1	600779	Die Head Body	1	N701	Set Die Head Post 7713
2	600780	Opening Block	1	N704	
3	600688	Spring	1	7697	
4	600781	Lever Pin	1	N714	
5	600782	Spring	1	N720	
6	600783	Spring	1	N718	
7	600784	Spring Guide (M4x18)	1		
8	600662	Roll Pin (M6x16)	1		
9	600785	Auto-Open Pin	1	N709	
10	600786	Straight Pin	1	N716	
11	600787	Open Lever	1	N711	
12	600663	Socket Hd Cap Screw (M8x15)	1		
13	600788	Auto Open Link	1	N712	
14	600472	Socket Hd Cap Screw (M8x10)	1		
15	600245	Washer (8mm)	1		
16	600789	Auto Open Lever C	1	N727	
17	600790	Stop Screw	2	N717	
18	600791	Cam Plate	1	N702	
19	600792	Size Plate	1	N730	
20	600668	Truss Screw (M4x5)	2		
21	600793	Retaining Ring	1	N703	Set Dies Notch (G865)
22	600131	Socket Hd Cap Screw (M6x16)	4		
23	600794	Cam Plate Fixed Pin	1	N706	
24	600795	Spring	1	N722	
25	600796	Eccentric Washer	1	N708	
26	600797	Lever Nut	1	N705	
27	600798	Nut (M20)	1	N707	
28	600664	Snap Ring (outside M20)	1		
29	600665	Roll Pin (M5x14)	1		
30	60201	1/2"-3/4" NPT Dies	1 set	X041	
	60209	1"-2" NPT Dies	1 set	X081	
31	600910	Die Head Post	1		
	60118	Complete Die Head 1/2" - 2"		02N1	6090

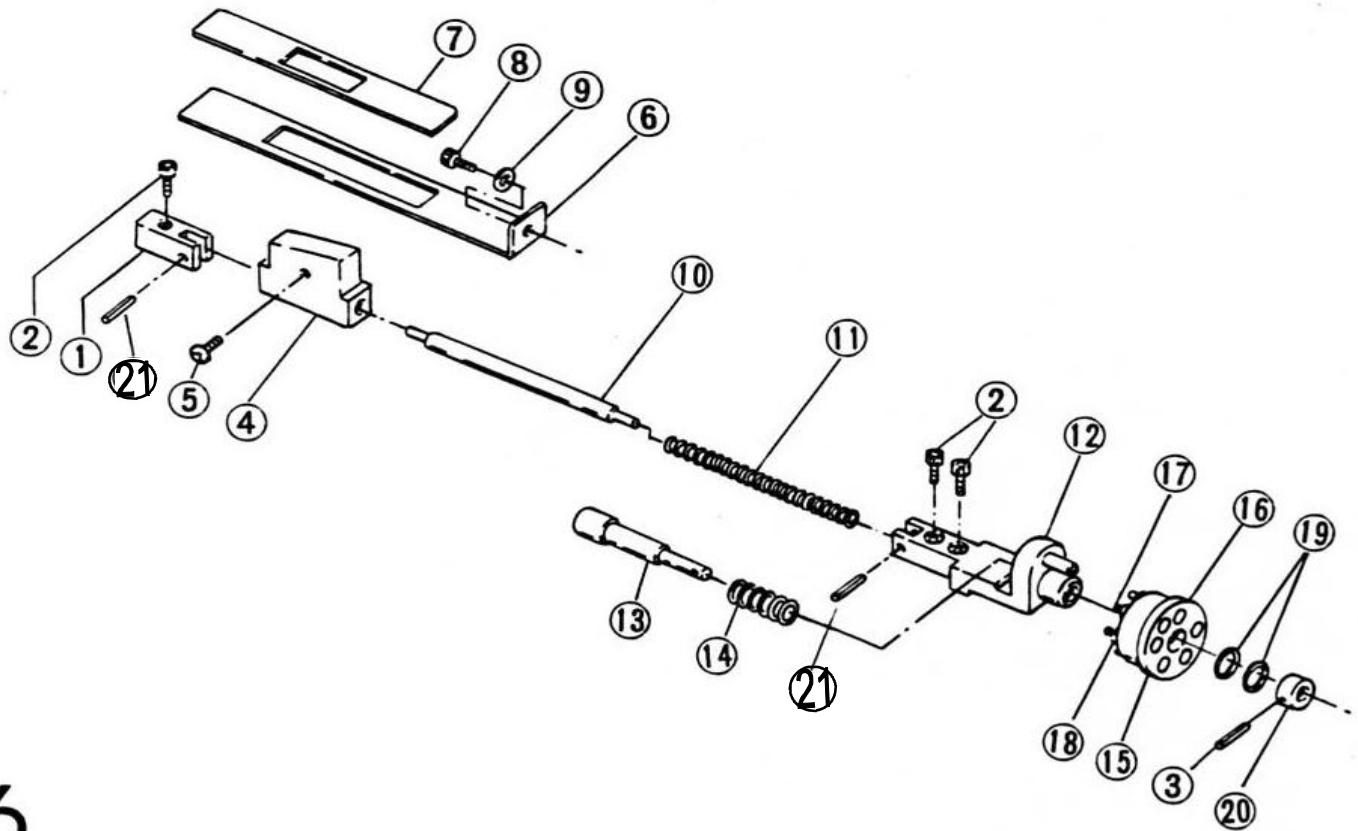
# 6794 5. 2-1/2" - 4" Die Head



Number	Wheeler P/N	Description	Set	Rex P/N	Notes
1	600865	Die Head Body (2-1/2 to 4)	1	J103	
2					
3	603560	Die Head Roller	1	T008	6590
4	603412	Die Head Roller Pin	1	3412	6490, 6590
5	603561	Cam Plate (2-1/2 to 4)	1	J067	6590
6	603562	Die Head Receiver Plate (2-1/2 to 4)	1	J100	Set Die Head Post (J076)
7	603563	Die Head Size Plate (2-1/2 to 4)	1	J102	
8	603564	Adjustment Plate (2-1/2 to 4)	1	J101	
9	600621	Rivet (#4x5)	4		6590
10	604692	Crank pin	4	7692	6390, 6590
11	604693	Size Adjustment Knob	4	7693	6390, 6590
12	600479	Socket Hd Cap Screw (M6x10)	4		6590
13	603565	Die Head Position Pin	1	J077	6590
14	603566	Size Setting Lever Holder (2-1/2 to 4)	1	J073	6590
15	604690	Size Setting Lever	1	7690	6390, 6590
16	604743	Size Adjustment Plate	2	7743	6390, 6590
17	604790	Notch Pin	1	7790	6390, 6590
18	600687	Spring (M5x12)	1	7752	6390, 6590
19	604742	Retaining Pin	1	7742	6390, 6590
20	600532	Socket Hd Cap Screw (M8x20)	2		6590
21	603567	Retaining Ring (2-1/2 to 4)	1	J068	Set Dies Notch (G865) 6590
22	600238	Socket Hd Cap Screw (M6x40)	4		6490, 6590
23	60206	2-1/2"-4" NPT Dies	1 Set	X051	6490, 6590
24	603687	Die Head Post	1		
	60106	Complete Die Head 2-1/2"-4"		02JA	



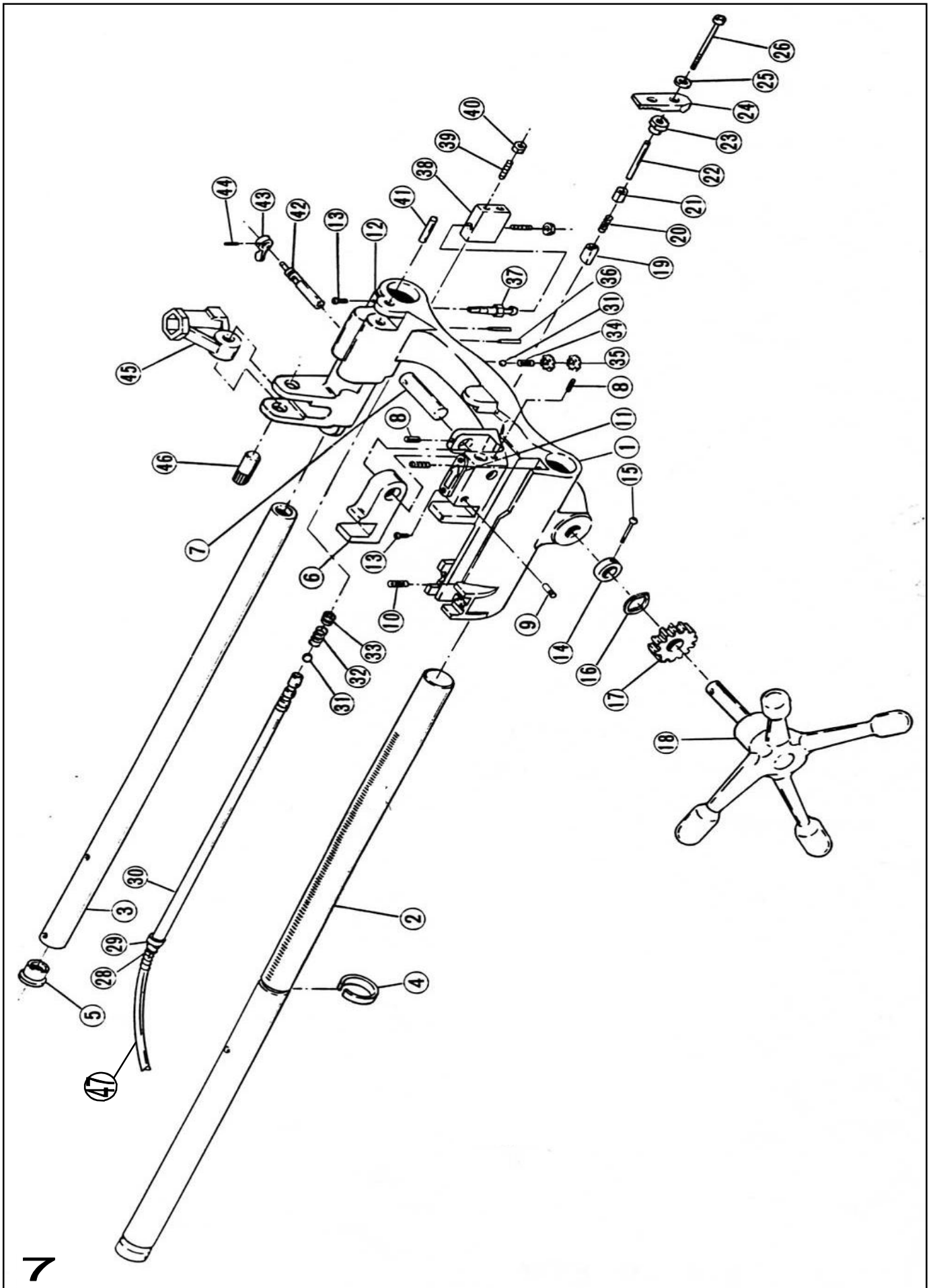
# 6794 6. Carriage - Profiling



6

Number	Wheeler P/N	Description	Set	Rex P/N	Notes
1	603568	Spring Support Shaft Holder A	1	J116	
2	600486	Socket Hd Cap Screw (M6x16)	3		
3	600516	Roll Pin (M4x20)	1		6590
4	603569	Profiling Board	1	J115	
5	600432	Rd Hd Machine Screw (M5x6)	1		6590
6	603570	Profiling Cover A	1	J121	
7	603571	Profiling Cover B	1	J122	
8	600472	Socket Hd Cap Screw (M8x10)	1		6590
9	600245	Washer (8mm)	1		6590
10	603572	Spring Support Shaft Holder A	1	J123	
11	603573	Spring	1	J149	
12		Spring Support Shaft Holder B	1	J117	Set Size Stopper Pin (J120)
13	603575	Size Adjustment Shaft	1	J119	
14	603576	Spring	1	J150	
15	603577	Size Plate	1	J124	
16	603578	Size Plate Cover	1	J135	
17	603579	Socket Hd Cap Screw (4")	1	J239	
	603580	Socket Hd Cap Screw (3-1/2")	1	J231	603679 Profiling Block Assembly
	603581	Socket Hd Cap Screw (3")	1	J241	
	603582	Socket Hd Cap Screw (2-1/2")	1	J242	
18	603583	Spring	1	J151	
19	603584	Wave Washer (12mm)	2		6590
20	603585	Stop Collar	1	J126	6590
21	606862	Roll Pin (M3x20)	2		
22	600283	Complete Profile Assembly			

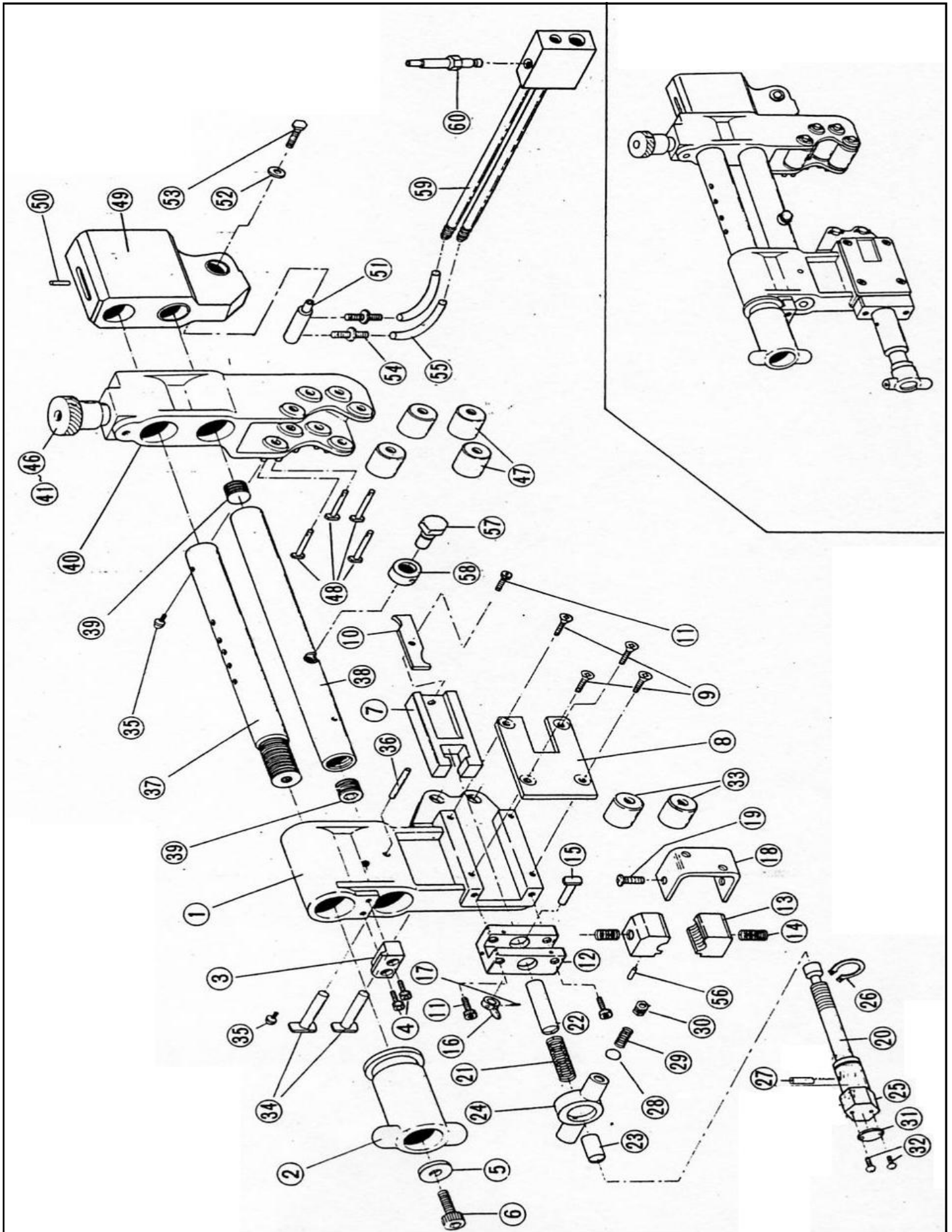
# 6794 7. Carriage



# 6794 7. Carriage

Number	Wheeler P/N	Description	Set	Rex P/N	Notes
1	603586	Carriage	1	J110	
2	603587	Carriage Support Bar A	1	J111	
3	603588	Carriage Support Bar B	1	J112	
1	603586	Carriage	1	J110	
2	603587	Carriage Support Bar A	1	J111	
3	603588	Carriage Support Bar B	1	J112	
4	603589	Carriage Support Collar	1	7911	
5	603590	Carriage Support Bar B Cap	1	J148	
6	603591	Die Head Holder	1	J113	
7	603592	Die Head Holder Shaft	1	J114	
8	600483	Roll Pin (M5x12)	1		
9		Oil Joint Pin	1	1036	
10	600434	Spring	2	E140	6590
11	603594	Open Plate	1	J145	
12	603595	Oil Flow Selector Plate	1	J155	
13	600621	Rivet (#4x5)	4		
14	609018	Feed Gear Stop Ring	1	9018	6490, 6590
15	600341	Rd Hd Machine Screw (M5x30)	1		6490, 6590
16	600810	Wave Washer (20mm)	1		6190, 6490, 6590
17	607515	Carriage Feed Gear	1	A515	6190, 6590
18	607517	Carriage Handle	1	A517	Set 607516 Feed Gear Shaft (A516)
19	607109	Die Head Stop Pin	1	A109	6490, 6590
20	607115	Spring	1	A115	6590
21	603596	Knob Pin Bush S	1	J147	
22	603597	Knob Pin Bush	1	J139	
23	607110	Die Head Stop Pin Cover	1	A110	6490, 6590
24	603598	Die Head Lock Knob	1	J136	
25	603599	Hemispherical Washer (5mm)	1	J137	
26	603600	Socket Hd Cap Screw (M5x60)	1		
27					
28	600213	Hose Clamp	1		
29	601035	Oil Joint	1	1035	6590
30	603601	Oil Pipe - Large	1	J140	
31	600168	Steel Ball (8mm)	1		
32	603602	Spring	1		
33	600169	Hex Socket Set Screw (M10x10)	1		
34		Spring (M8x10)	1	5096	6090
35	600170	Push Nut	2		
36	603603	Roll Pin (M5x45)	2		
37	603604	Oil Pipe - Small	1	J142	
38	603605	Oil Pipe Connector	1	J141	
39	603606	Hex Socket Set Screw (cone M6x25)	2		
40	600811	Jam Nut (M6)	2		
41	609045	Reamer Arm Stop Pin	1	1096	6090, 6390
42	603607	Oil Flow Selector Shaft	1	J143	Set O-ring (M12)
43	603608	Oil Flow Selector Lever	1	J144	
44	600207	Roll Pin (M3x18)	1		
45	603609	Cutter Arm	1	J162	
46	603610	Cutter Arm Stop Pin	1	J166	
47	603551	Oil Feed Line	1		

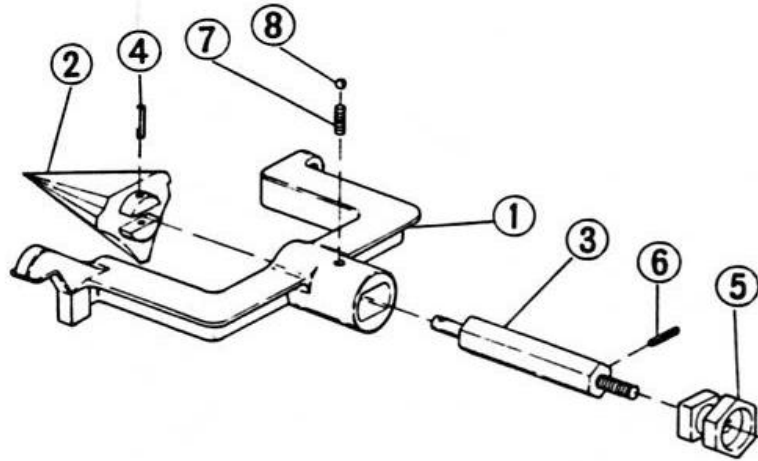
# 6794 8. Cutter



# 6794 8. Cutter

Number	Wheeler P/N	Description	Set	Rex P/N	Notes
1	607291	Cutter Frame	1	A291	
2	607264	Cutter Handle	1	A264	
3	600633	Frame Block	1	A300	
4	600131	Socket Hd Cap Screw (M6x16)	2		
5	608849	Stop Washer (M8x28x1.8)	1		
6	600442	Socket Hd Cap Screw (M8x15)	1		
7	600641	Blade Holder	1	7934	
8	600602	Blade Holder Plate	1	7935	
9	600603	Flat Hd Machine Screw (M6x12)	4		
10	60390	Blade	1		
11	600604	Socket Hd Cap Screw (M6x12)	3		
12	600605	Feed Screw Holder	1	7943	
13	600606	Half Nut	1 set	7945	
14	600607	Nut Spring	2	7955	
15	600608	Cam Shaft	1	7946	
16	600609	Cutter Lever	1	7941	
17	600207	Roll Pin (M3x18)	1		
18	600610	Feed Screw Holder Cover	1	7944	
19	600329	Rd Hd Machine Screw (M5x8)	4		
20	600611	Feed Screw	1	7942	
21	600612	Feed Screw Spring	1	7954	
22	600613	Feed Screw Cover	1	7950	
23	600614	Support Collar	1	7951	
24	600615	Blade Handle	1	7940	
25	600616	Hexagon Shaft	1	7949	
26	600617	Snap Ring (24mm)	1		
27	600618	Roll Pin (M6x22)	1		
28	600168	Steel Ball (M8)	2		
29	600619	Handle Spring	2	7952	
30	600169	Hex Socket Set Screw (M10x10)	2		
31	600620	Handle Plate 100	1	A294	
32	600621	Rivet (#4x5)	2		
33	607270	Roller A	2	A270	
34	607932	Roller Pin A	2	A272	
35	600647	Truss Screw (M5x8)	6		
36	600206	Roll Pin (M6x40)	1		
37	600860	Cutter Support Bar A	1	J244	
38	600861	Cutter Support Bar B	1	J245	
39	600623	Hex Socket Pipe Screw (PT3/8)	2		
40	600636	Cutter Guide	1	A292	
41	608215	Cutter Notch	1	E215	
42	608216	Notch Holder	1	E216	
43	600624	Hex Socket Pipe Screw (M8x10)	1		
44	608217	Notch Knob Assembly	1	E217	
45	600625	Roll Pin (M3x35)	1		
46	600451	Notch Spring	1		
47	605074	Roller B	4	5074	
48	608225	Roller Pin B	4	7932	
49	600862	Cutter Arm	1	J243	Set J251,J252,J253 Bush
50	600627	Roll Pin (M8x20)	1		
51	600863	Cutter Arm Stop Pin	1	J246	
52	600639	Toothed Lock Washer (A-20)	1		
53	600640	Hex Hd Bolt (M12x16)	1		
54	600445	Joint	2	A295	
55	600630	Oil Tube	2		
56	600631	Roll Pin (M3x10)	1		
57	600928	Stop Screw	1	J249	
58	600929	Oil Adjustment Knob	1	J250	
59	600864	Oil Joint	1	J247	
60	600634	Oil Pipe	1	J248	
	600845	Complete Cutter Assembly			

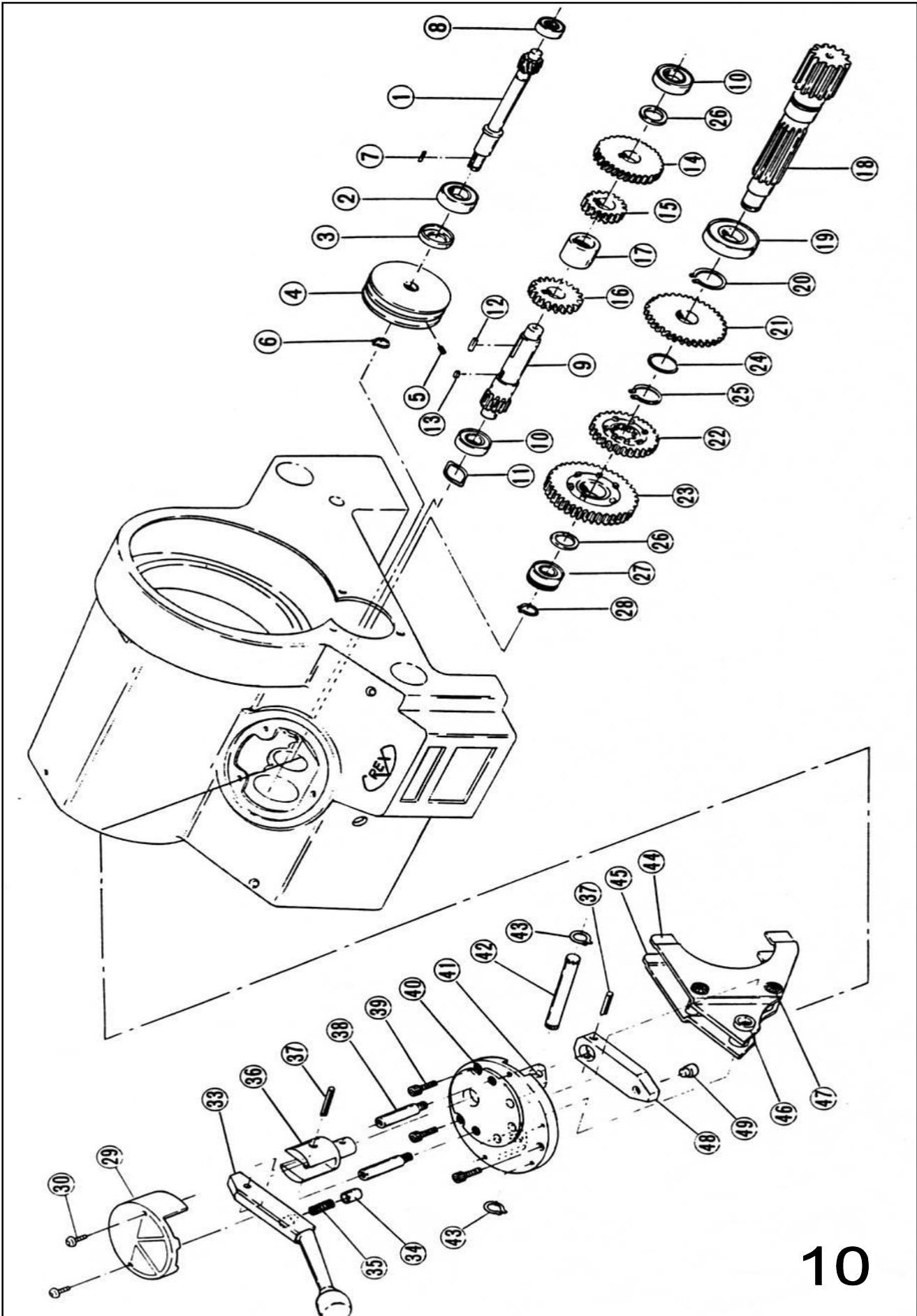
# 6794 9. Reamer



9

Number	Wheeler P/N	Description	Set	Rex P/N	Notes
1	603629	Reamer Arm	1	A521	
2	60303	Reamer Cone	1	A522	6490
3	607253	Reamer Shaft	1	A253	6490, 6590
4	600227	Roll Pin (M8x50)	1		6590
5	601094	Reamer Knob	1	1094	6390, 6490, 6590
6	600127	Roll Pin (M4x10)	1		6390, 6590
7	600224	Spring (M8x10)	1	5096	6090, 6190, 6490, 6590
8	600168	Steel Ball (8mm)	1		6090, 6190, 6490, 6590
9					
10	603681	Compete Reamer		02JR	

# 6794 10. Gear Case



# 6794 10. Gear Case

Number	Wheeler P/N	Description	Set	Rex P/N	Notes
1	603630	A Shaft	1	J180	
2	607192	Bearing (#6205LL)	1	A192	6490, 6590
3	603631	Oil Seal (TCV254511)	1	J310	
4	603632	Mission Pulley	1		
5	600669	Hex Socket Set Screw (M8x12)	1		
6	600679	Snap Ring (outside M18)	1		
7	600484	Key (5x5x20)	1		
8	603633	Bearing (#6202LL)	1	H272	6390
9	603634	B Shaft	1	J181	
10	607191	Bearing (#6004LL)	2	A191	6490, 6590
11	600810	Wave Washer (BWWW6203)	1		
12	603635	Key (8x7x22)	1		
13	603636	Key (8x7x12)	1		
14	603637	B Shaft Gear A	1	J182	
15	600638	B Shaft Gear B	1	J183	
16	603639	B Shaft Gear C	1	J184	
17	603640	B Shaft Collar	1	J192	
18	603641	C Shaft	1	J185	
19	603642	Bearing (#6007LLU)	1	J302	
20	603643	Snap Ring (outside M35)	1		
21	603644	C Shaft Gear A	1	J186	
22	603645	C Shaft Gear B	1	J187	
23	603646	C Shaft Gear C	1	J188	
24	603647	C Shaft Collar Small	1	J194	
25	603648	Snap Ring (outside M30)	1		
26	603649	C Shaft Collar Large	2	J193	
27	603650	Bearing (#6204ZNR)	1	J301	
28	600664	Snap Ring (outside M20)	1		
29	603665	Speed Change Cap	1	J201	
30	603666	Socket Button Hd Cap Screw (M6x15)	2		
31					
32					
33	603668	Speed Change Lever	1	J202	
34	603669	Notch Pin	1	J203	
35	603670	Spring	1	J216	
36	603671	Speed Change Shaft	1	J204	
37	600344	Roll Pin (M6x30)	2		
38	603672	Stud Bolt	2	J215	
39	600131	Socket Hd Cap Screw (M6x16)	3		
40		Speed Change Cover	1	J200	} 603673 Set (J220)
41		Speed Change Guide	1	J206	
42	603674	Guide Pin	1	J207	
43	603675	Snap Ring (outside M10)	2		
44		Gear Shift Fork A	1	J209	} 603676 Set (J221)
45		Gear Shift Fork B	1	J210	
46		Shift Pin A	1	J211	
47		Shift Pin B	2	J212	
48	603677	Fork Lever	1	J205	
49	603678	Fork Lever Pin	1	J208	